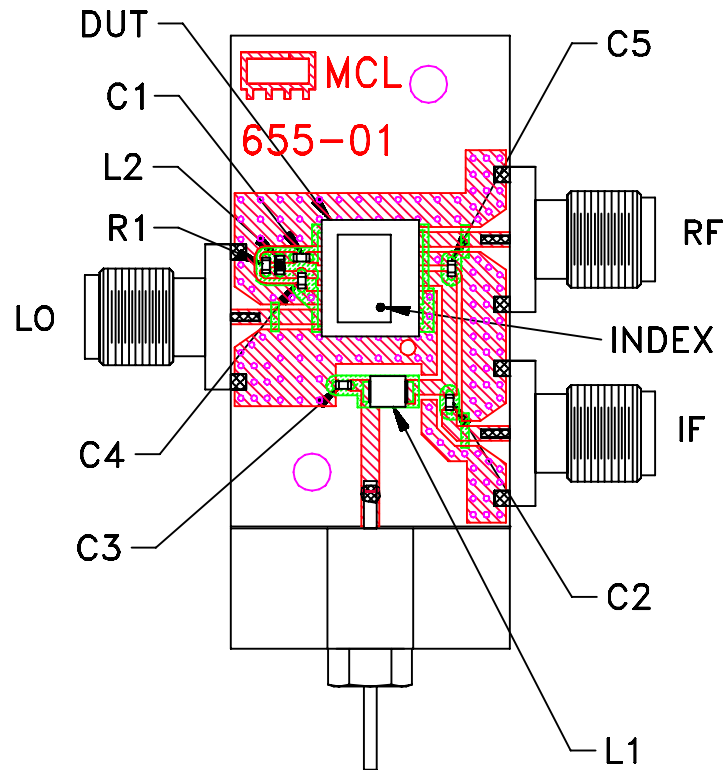
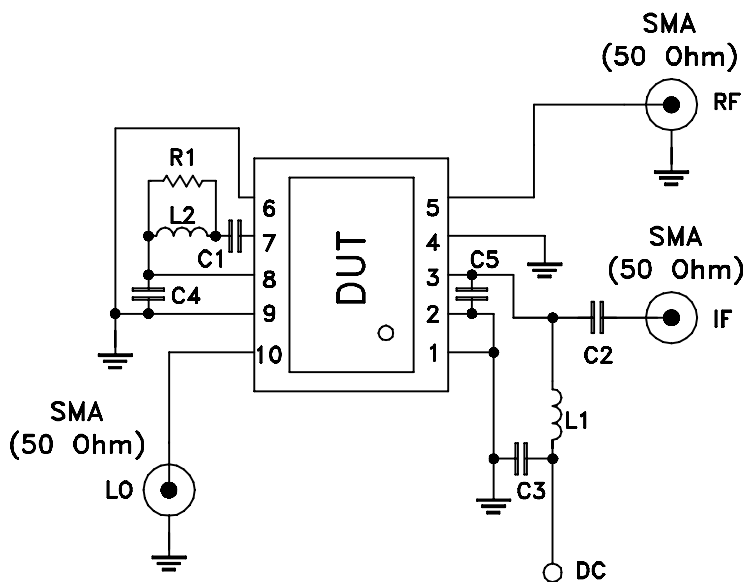


Evaluation Board and Circuit



TB-660-42LH+




COMPONENT	VALUE
DUT	MRA-42LH+
C1,C2	0.001 uF
C3	0.1 uF
C4	2.0 pF
C5	1.0 pF
L1	1.5 uH
L2	6.8 nH
R1	150 Ohm

Schematic Diagram

Notes:

1. 50 Ohm SMA Female connectors.
2. PCB Material: R04350 or equivalent,
Dielectric Constant=3.5, Thickness=.020 inch.

 Mini-Circuits®