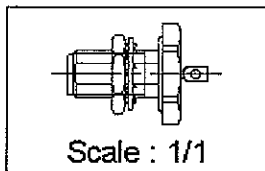
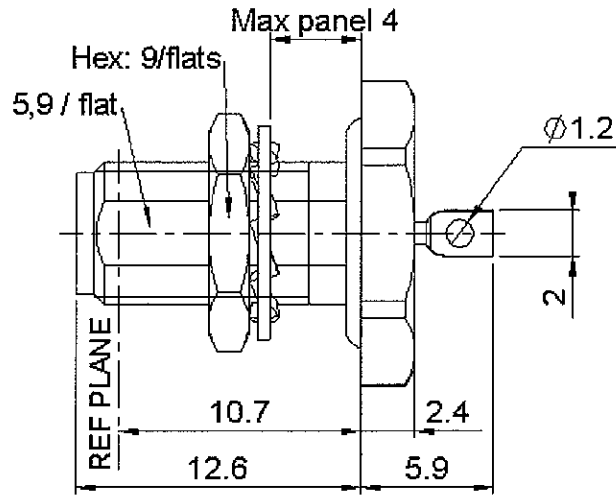


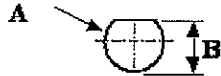
**BULKHEAD JACK RECEPTACLE**  
**HERMETIC - WITH SPECIAL CONTACT**

**R125.603.000**

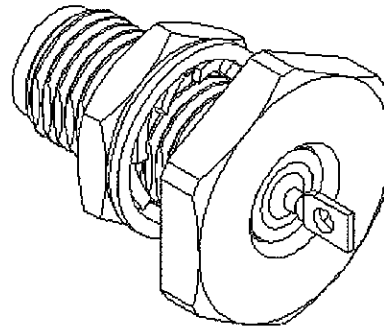
Series : SMA



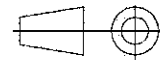
**PANEL CUT OUT**



mm		
	Maxi	mini
<b>A</b>	<b>6.5</b>	<b>6.4</b>
<b>B</b>	<b>6.1</b>	<b>6</b>



All dimensions are in mm.



COMPONENTS	MATERIALS	PLATINGS (µm)
BODY	BERYLLIUM COPPER	GOLD 0.5 OVER NICKEL 2
CENTER CONTACT	BERYLLIUM COPPER	GOLD 1.3 OVER NICKEL 2
OUTER CONTACT	-	-
INSULATOR	PTFE	-
GASKET	SILICONE RUBBER	-
OTHERS PARTS	BRASS	GOLD 0.2 OVER NICKEL 2
-	-	-
-	-	-

Issue : 0546 R

In the effort to improve our products, we reserve the right to make changes judged to be necessary.



**BULKHEAD JACK RECEPTACLE**  
**HERMETIC - WITH SPECIAL CONTACT**

**R125.603.000**

Series : SMA

**PACKAGING**

Standard	Unit	Other
100	'W' option	Contact us

**SPECIFICATION**

**ELECTRICAL CHARACTERISTICS**

Impedance		<b>50</b> Ω
Frequency		<b>0-18</b> GHz
VSWR	<b>1.10</b> +	<b>0.010</b> x F(GHz) Maxi
Insertion loss		<b>0.3*</b> √F(GHz) dB Maxi
RF leakage	- (	<b>NA</b> - F(GHz)) dB Maxi
Voltage rating		<b>500</b> Veff Maxi
Dielectric withstanding voltage		<b>1000</b> Veff mini
Insulation resistance		<b>5000</b> MΩ mini

**ENVIRONMENTAL**

Operating temperature	<b>-40/+100</b> ° C
Hermetic seal	<b>10-5</b> Atm.cm <sup>3</sup> /s
Panel leakage	<b>NA</b>

**OTHERS CHARACTERISTICS**

Assembly instruction **NA**

Others :

\* Coaxial Transmission Line Only

**MECHANICAL CHARACTERISTICS**

Center contact retention		
Axial force – Mating end		<b>27</b> N mini
Axial force – Opposite end		<b>27</b> N mini
Torque		<b>NA</b> N.cm mini
Recommended torque		
Mating		<b>NA</b> N.cm
Panel nut		<b>150</b> N.cm
Mating life		<b>500</b> Cycles mini
Weight		<b>4.400</b> g

Issue : 0546 R

In the effort to improve our products, we reserve the right to make changes judged to be necessary.



**RADIALL**®