



10 dB DC Bias Attenuator, 75 F Male To 75 F Female Brass  
 Nickel Body Rated To 2 Watts From 500 MHz To 2 GHz

TECHNICAL DATA SHEET

PE7064-10

**10 dB DC Bias Attenuator, 75 F Male To 75 F Female Brass Nickel Body Rated To 2 Watts From 500 MHz To 2 GHz**

**Configuration**

Design	DC Bias, Bidirectional Attenuator
Connector 1	F Male
Connector 2	F Female
Body Material and Plating	Brass, Nickel

**Electrical Specifications**

Frequency Range, GHz	0.5 to 2
Impedance, Ohms	75
Attenuation Value, dB	10
Maximum Input Power, Watts	2
Maximum VSWR	1.45:1

**Frequency 1**

Range, GHz	0.5 to 2
VSWR	1.45:1
Attenuation Accuracy, dB	± 2

**Mechanical Specifications**

**Temperature**

Operating Range, deg C	-55 to +125
------------------------	-------------

**Size**

Length, in [mm]	1.63 [41.4]
Width, in [mm]	0.438 [11.13]

**Connector 1**

Type	F Male
Coupling Nut Material and Plating	Brass, Nickel
Hex Size, in.	7/16
Torque, in-lbs [Nm]	15 [1.7]
Body Material and Plating	Brass, Nickel

**Connector 2**

Type	F Female
Body Material and Plating	Brass, Nickel

**Compliance Certifications** (visit [www.Pasternack.com](http://www.Pasternack.com) for current document)

RoHS Compliant	Yes
----------------	-----

Click the following link (or enter part number in "SEARCH" on website) to obtain additional part information including price, inventory and certifications: [10 dB DC Bias Attenuator, 75 F Male To 75 F Female Brass Nickel Body Rated To 2 Watts From 500 MHz To 2 GHz PE7064-10](#)

The information contained in this document is accurate to the best of our knowledge and representative of the part described herein. It may be necessary to make modifications to the part and/or the documentation of the part, in order to implement improvements. Pasternack reserves the right to make such changes as required. Unless otherwise stated, all specifications are nominal.





10 dB DC Bias Attenuator, 75 F Male To 75 F Female Brass  
Nickel Body Rated To 2 Watts From 500 MHz To 2 GHz

TECHNICAL DATA SHEET

PE7064-10

**Plotted and Other Data**

Notes:

Values at 25 °C, sea level

10 dB DC Bias Attenuator, 75 F Male To 75 F Female Brass Nickel Body Rated To 2 Watts From 500 MHz To 2 GHz from Pasternack Enterprises has same day shipment for domestic and International orders. Our RF, microwave and fiber optic products maintain a 99% availability and are part of the broadest selection in the industry.

Click the following link (or enter part number in "SEARCH" on website) to obtain additional part information including price, inventory and certifications: [10 dB DC Bias Attenuator, 75 F Male To 75 F Female Brass Nickel Body Rated To 2 Watts From 500 MHz To 2 GHz PE7064-10](http://www.pasternack.com/10db-dc-bias-f-male-f-female-2-watts-attenuator-pe7064-10-p.aspx)

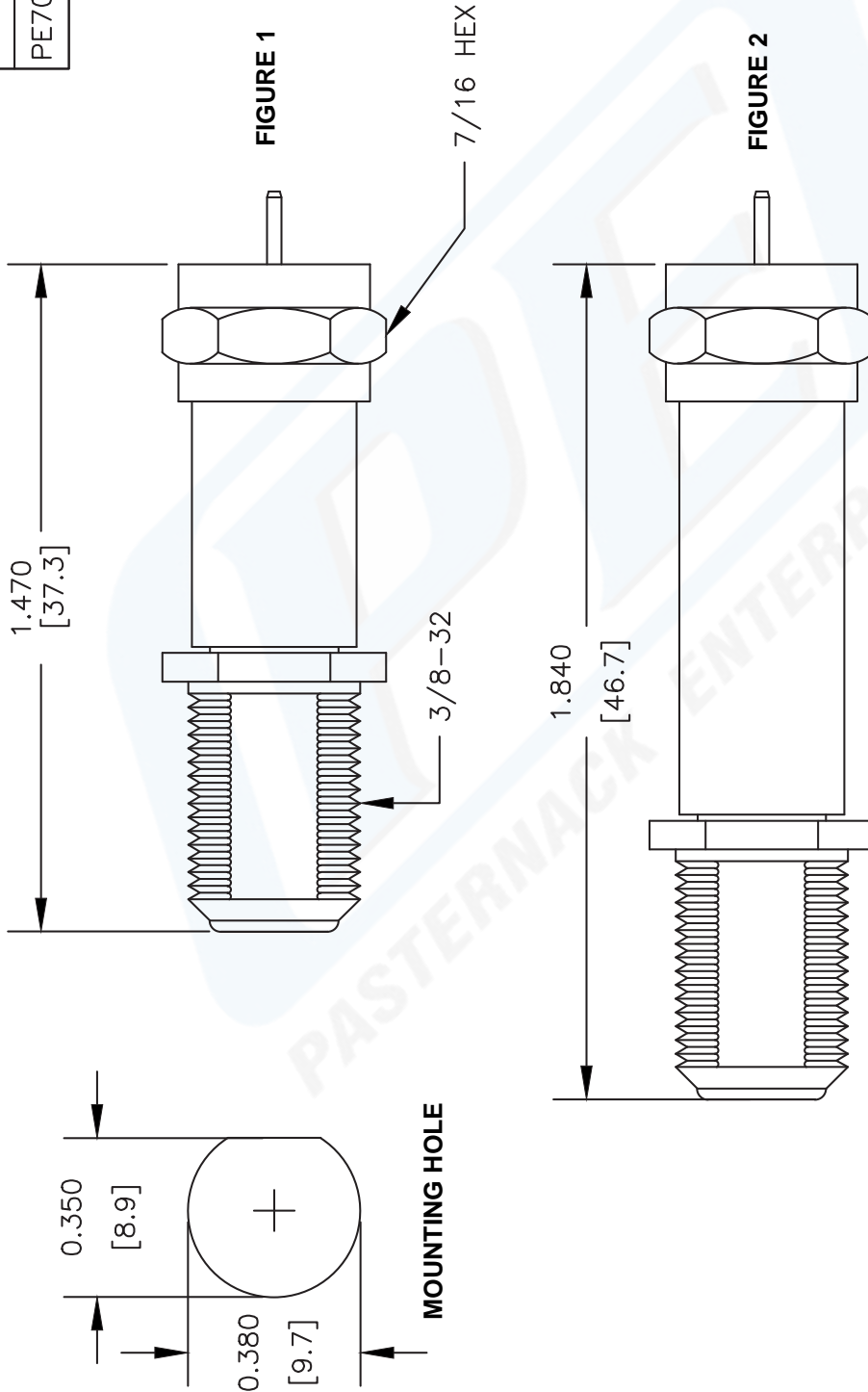
URL: <http://www.pasternack.com/10db-dc-bias-f-male-f-female-2-watts-attenuator-pe7064-10-p.aspx>

The information contained in this document is accurate to the best of our knowledge and representative of the part described herein. It may be necessary to make modifications to the part and/or the documentation of the part, in order to implement improvements. Pasternack reserves the right to make such changes as required. Unless otherwise stated, all specifications are nominal.

# PE7064-10 CAD Drawing

10 dB DC Bias Attenuator, 75 F Male To 75 F Female Brass  
Nickel Body Rated To 2 Watts From 500 MHz To 2 GHz

P/N	ATTEN.	FIGURE
PE7064-6	6 dB	1
PE7064-10	10 dB	1
PE7064-3	20 dB	2



NOTES:  
1. UNLESS OTHERWISE SPECIFIED ALL DIMENSIONS ARE NOMINAL.  
2. ALL SPECIFICATIONS ARE SUBJECT TO CHANGE WITHOUT NOTICE AT ANY TIME.  
3. DIMENSIONS ARE IN INCHES [mm].

DWG TITLE  
**PE7064**

FSCM NO. 53919

**PE PASTERNAK**  
Pasternack Enterprises, Inc.  
P.O. Box 16759 | Irvine | CA | 92623  
Phone: (949) 261-1920 | Fax: (949) 261-7451  
Website: www.pasternack.com | E-Mail: sales@pasternack.com

CAD FILE 030409-A SCALE N/A SIZE A XXXX