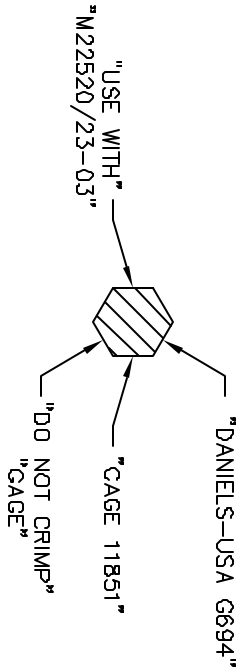
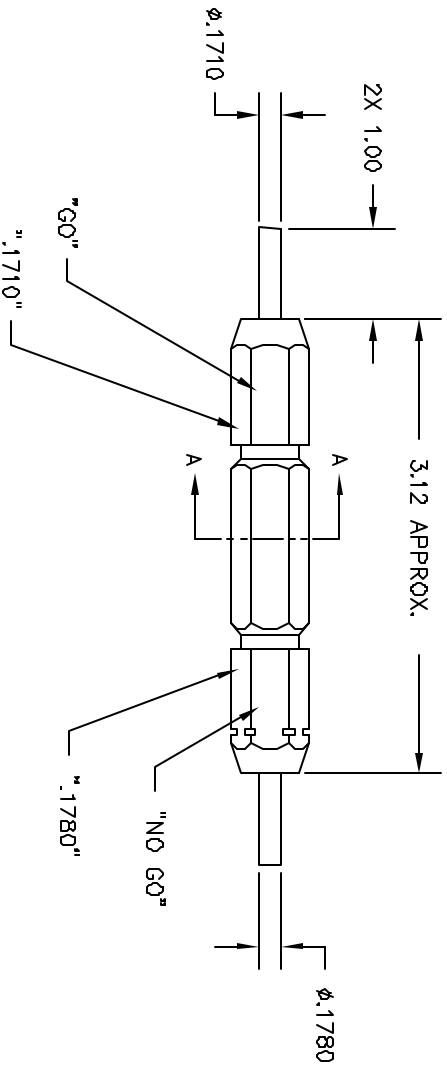


REVISIONS			
REV. NO.	DESCRIPTION	DATE	APPR. DATE
1	ORIGINAL RELEASE	7/29/01	7/29/01



SECTION A-A



**UNCONTROLLED DOCUMENT  
WILL NOT BE UPDATED**

RESTRICTED & CONFIDENTIAL		MATERIAL		ITEM		PART NO.		QTY.		DESCRIPTION/REMARKS	
CONFIDENTIAL PROPERTY OF DANIELS MANUFACTURING CORP. NOT TO BE REPRODUCED OR TRANSMITTED IN ANY FORM OR BY ANY MEANS, ELECTRONIC OR MECHANICAL, INCLUDING PHOTOCOPYING, RECORDING, OR BY ANY INFORMATION STORAGE AND RETRIEVAL SYSTEM, WITHOUT THE WRITTEN PERMISSION OF DANIELS MANUFACTURING CORP.		HEAT TREAT		DIN J. JOYCE		DATE 7/29/01		DATE 7/29/01		<b>DANIELS MANUFACTURING CORP.</b> DANIELS, FLORIDA CAGE 11851	
		FINISH		APPR. RRR		DATE		DATE			
DO NOT SCALE DRAWING										TITLE GD/NO-GO GAGE ENVELOPE DRAWING	
								WHERE USED: SIZE B SCALE NTS P/M		SHEET 1 OF 1 REV 1	
								G694-ENV G694-ENV			