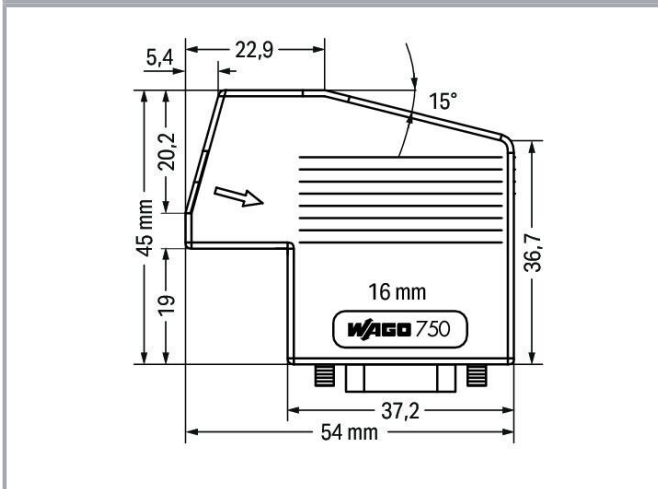
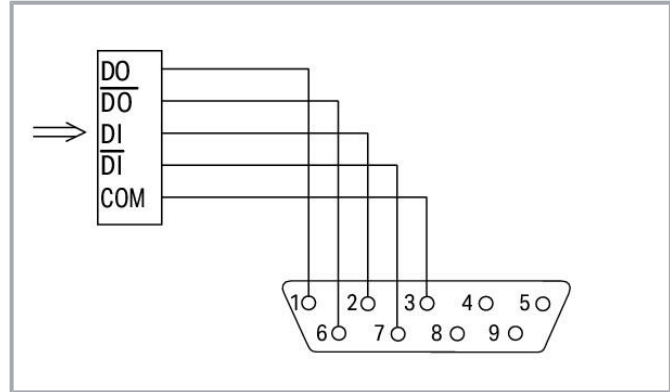


Color: —



Item description

This fieldbus connector links an INTERBUS device to an INTERBUS line.

The fieldbus connector has the following features:

Subject to changes. Please also observe the further product documentation!



- Fast and maintenance-free CAGE CLAMP® connection – a locking slide keeps the clamping unit in its open position

Data

Technical data

Connection type	D-sub 9 socket
Pole number	9
Communication/fieldbus	INTERBUS
Transmission rate	2 MBd ((per INTERBUS specification))

Connection data

Connection type 1	CAGE CLAMP® terminal strip with locking slide (218 Series)
Solid conductor	0.08 ... 0.5 mm ² / 28 ... 20 AWG
Strip length	5 ... 6 mm / 0.2 ... 0.24 inches

Physical data

Width	54 mm / 2.126 inches
Height	16 mm / 0.63 inches
Depth	45 mm / 1.772 inches

Mechanical data

Connectable sheathed cable diameter	4.5 ... 9.5 mm
Housing material	PA66-105-V2
Weight	32.7 g
Color	light gray

Environmental requirements

Ambient temperature (operation)	0 ... +60 °C
Ambient temperature (storage)	-25 ... +85 °C
Protection type	IP20
Relative humidity (without condensation)	95 %
Fire load	0.601 MJ

Commercial data

Product Group	15 (I/O System)
---------------	-----------------

Subject to changes. Please also observe the further product documentation!

WAGO GmbH & Co. KG
 Hansastr. 27
 32423 Minden
 Phone: +49571 887-0 | Fax: +49571 887-169
 Email: info.de@wago.com | Web: www.wago.com

Do you have any questions about our products?
 We are always happy to take your call at +49 (571) 887-44222.

eCl@ss 10.0	27-24-26-92
eCl@ss 9.0	27-24-26-92
ETIM 9.0	EC002584
ETIM 8.0	EC002584
ECCN	NO DATA
PU (SPU)	1 pcs
Packaging type	bag
Country of origin	DE
GTIN	4017332810708
Customs tariff number	85366990990

Environmental Product Compliance


RoHS Compliance Status	Compliant, No Exemption
------------------------	-------------------------

Approvals / Certificates

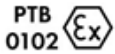

General approvals

Logo	Approval	Additional Approval Text	Certificate name
	UL Underwriters Laboratories Inc. (ORDINARY LOCATIONS)	UL 508	E175199

Declarations of conformity and manufacturer's declarations

Logo	Approval	Additional Approval Text	Certificate name
	EU-Declaration of Conformity WAGO GmbH & Co. KG	-	-

Approvals for hazardous areas

Logo	Approval	Additional Approval Text	Certificate name
	ATEX TUEV Nord Cert GmbH	EN 60079-0	TUEV14ATEX148929X (II 3 G Ex ec IIC T4 Gc)
	CCCEX CQST/CNEX	CNCA-C23-01	2020312310000213 (Ex ec IIC T4 Gc)

Subject to changes. Please also observe the further product documentation!



	IECEX TUEV Nord Cert GmbH	IEC 60079-0	IECEX TUN 14.0035 X (Ex ec IIC T4 Gc)
	INMETRO TÜV Rheinland do Brasil Ltda.	IEC 60079-0	TÜV 12.1297 X
	UKEx WAGO GmbH & Co. KG	EN 60079-0	UKCA_WAGO22UKEX003X_ec

Downloads Documentation

Manual			
System Manual WAGO I/O System 750/753 Decentralized Automation Technology	677316363 25 en-US 8 /21/2024 11:28 22 авг. 2024 г.	pdf 8.8 MB	Download
Bid Text			
750-961 X81 - Datei	19 февр. 2019 г.	xml 4.0 kB	Download
750-961 doc - Datei	6 окт. 2017 г.	doc 25.1 kB	Download
Instruction Leaflet			
CCC Ex (Additional information) WAGO-I/O-SYSTEM *750-****/*	26 апр. 2023 г.	pdf 163.6 kB	Download
Additional Information			
Disposal and Recycling Electrical and electronic equipment, Batteries, Packaging	V 1.1.0 18 авг. 2022 г.	pdf 2.2 MB	Download
System Description			
Overview on WAGO-I/O-SYSTEM 750 approvals		pdf 223.5 kB	Download

Subject to changes. Please also observe the further product documentation!

WAGO GmbH & Co. KG
Hansastr. 27
32423 Minden
Phone: +49571 887-0 | Fax: +49571 887-169
Email: info.de@wago.com | Web: www.wago.com

Do you have any questions about our products?
We are always happy to take your call at +49 (571) 887-44222.



CAD/CAE-Data

CAE data

WSCAD Universe 750-961	URL	Download
EPLAN Data Portal 750-961	URL	Download

Environmental Product Compliance

Compliance Search

Environmental Product Compliance 750-961 INTERBUS fieldbus connector (IN); with D-sub female connector; 9-pole	URL	Download
---	---------------------	--------------------------

Installation Notes

Subject to changes. Please also observe the further product documentation!