

206966-9 ✓ ACTIVE

AMP | AMP CPC

TE Internal #: 206966-9

Cable Clamp Kit, Thermoplastic, Black, Shell Size 13, 11.51 mm [.453 in] Cable Entry, UL 94V-0, AMP CPC

[View on TE.com >](#)



Connectors > Connector Accessories > Connector Strain Relief



Strain Relief Accessory Type: **Cable Clamp Kit**

Primary Product Material: **Thermoplastic**

Primary Product Color: **Black**

Compatible With Connector Shell Size: **13**

Cable Entry Diameter: **11.51 mm [.453 in]**

## Features

### Product Type Features

Strain Relief Accessory Type	Cable Clamp Kit
------------------------------	-----------------

### Body Features

Primary Product Material	Thermoplastic
Primary Product Color	Black

### Mechanical Attachment

Thread Size	3/4-20 UNEF-2B
-------------	----------------

### Housing Features

Compatible With Connector Shape	Circular
Body Orientation	Straight

### Dimensions

Cable Entry Diameter	11.51 mm[.453 in]
----------------------	-------------------

### Operation/Application

Compatible With Connector Shell Size	13
Shielded	No



### Industry Standards

UL Flammability Rating	UL 94V-0
------------------------	----------

### Packaging Features

Packaging Method	Bulk
------------------	------

Packaging Quantity	200
--------------------	-----

### Product Compliance

[For compliance documentation, visit the product page on TE.com>](#)

EU RoHS Directive 2011/65/EU	Compliant
------------------------------	-----------

EU ELV Directive 2000/53/EC	Compliant
-----------------------------	-----------

China RoHS 2 Directive MIIT Order No 32, 2016	No Restricted Materials Above Threshold
---	---

EU REACH Regulation (EC) No. 1907/2006	Current ECHA Candidate List: JUNE 2024 (241) Candidate List Declared Against: JUNE 2024 (241) Does not contain REACH SVHC
--	---

Halogen Content	BFR/CFR/PVC Free, but Br/Cl >900 ppm in other sources.
-----------------	--

Solder Process Capability	Not applicable for solder process capability
---------------------------	--

#### Product Compliance Disclaimer

This information is provided based on reasonable inquiry of our suppliers and represents our current actual knowledge based on the information they provided. This information is subject to change. The part numbers that TE has identified as EU RoHS compliant have a maximum concentration of 0.1% by weight in homogenous materials for lead, hexavalent chromium, mercury, PBB, PBDE, DBP, BBP, DEHP, DIBP, and 0.01% for cadmium, or qualify for an exemption to these limits as defined in the Annexes of Directive 2011/65/EU (RoHS2). Finished electrical and electronic equipment products will be CE marked as required by Directive 2011/65/EU. Components may not be CE marked. Additionally, the part numbers that TE has identified as EU ELV compliant have a maximum concentration of 0.1% by weight in homogenous materials for lead, hexavalent chromium, and mercury, and 0.01% for cadmium, or qualify for an exemption to these limits as defined in the Annexes of Directive 2000/53/EC (ELV). Regarding the REACH Regulation, the information TE provides on SVHC in articles for this part number is based on the latest European Chemicals Agency (ECHA) 'Guidance on requirements for substances in articles' posted at this URL: <https://echa.europa.eu/guidance-documents/guidance-on-reach>

### Compatible Parts



Also in the Series | **AMP CPC**



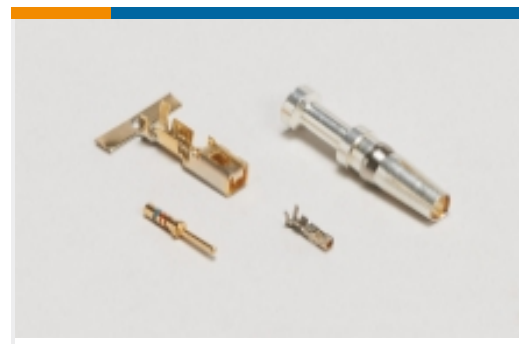
Circular Power Connectors(425)



Connector Backshells(1)



Connector Caps & Covers(16)



Connector Contacts(6)



Connector Hardware(12)



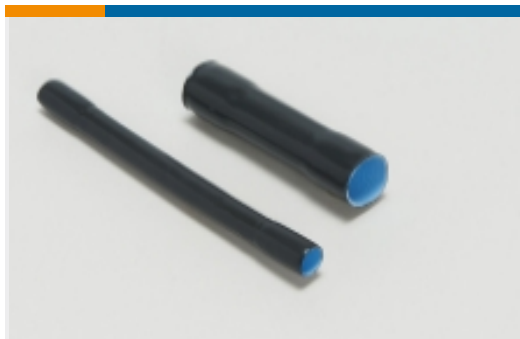
Connector Seals & Cavity Plugs(35)



Connector Strain Relief(60)



Insertion & Extraction Tools(1)



Sealing Sleeves(2)

## Customers Also Bought



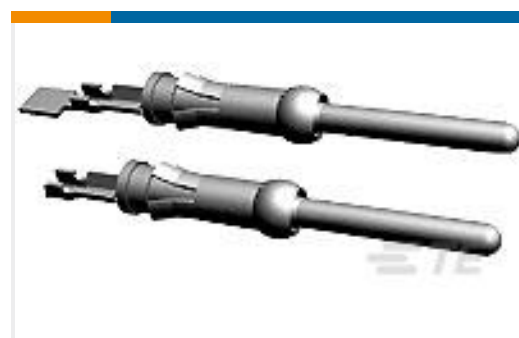
TE Part #414002-3  
PLUG,CABLE,RTANG,SMB,NI PLTD



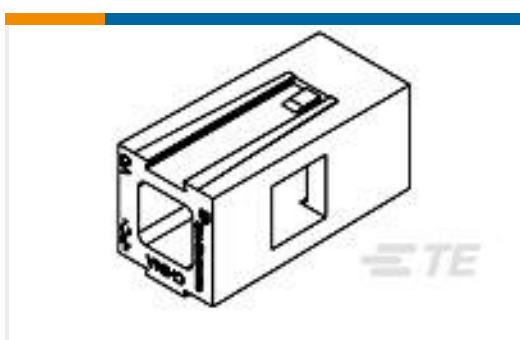
TE Part #211399-1  
CPC PLUG ASSEMBLY SIZE 13-7



TE Part #211400-1  
CPC PLUG ASSEMBLY SIZE 13-7



TE Part #1-66106-5  
III+ PIN,26-24,TIN,STRIP



TE Part #1445960-1  
MTG WING,15/30/45A PWR PROD



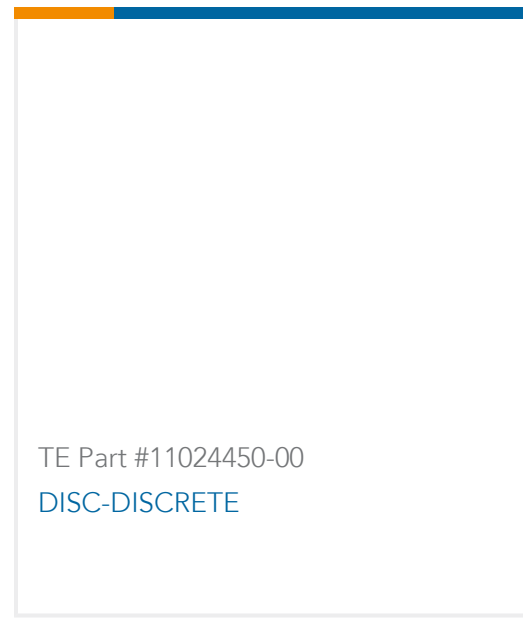
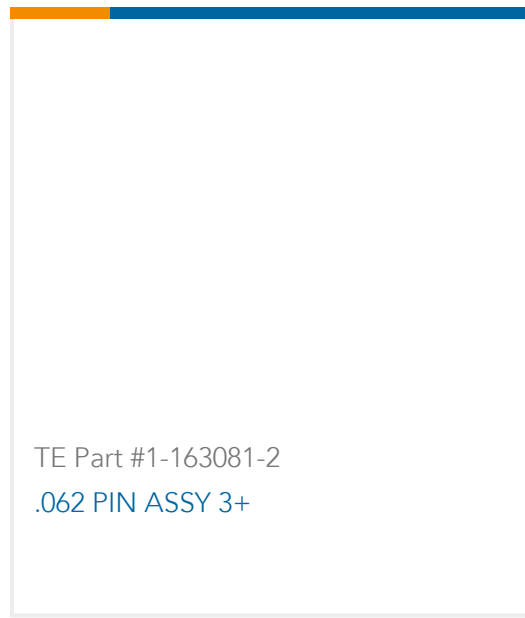
TE Part #1-480699-6  
02P UMNL CAP HSG BLU



TE Part #TCD1473A201-006  
M12D4-MS-RJ-TPE-24SH-TEAL-7.0M



TE Part #2340814-1  
RL0111-1.00-9



## Documents

### Product Drawings

[CABLE CLAMP KIT, BULK PKG](#)

English

### CAD Files

Customer View Model

[ENG\\_CVM\\_CVM\\_206966-9\\_S.2d\\_dxf.zip](#)

English

[3D PDF](#)

3D

Customer View Model

[ENG\\_CVM\\_CVM\\_206966-9\\_S.3d\\_igs.zip](#)

English

Customer View Model

[ENG\\_CVM\\_CVM\\_206966-9\\_S.3d\\_stp.zip](#)

English

By downloading the CAD file I accept and agree to the [Terms and Conditions](#) of use.

### Datasheets & Catalog Pages

[AMP Circular Connectors for Commercial Signal & Power Applications](#)

English